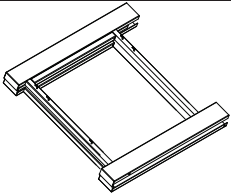
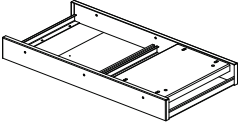
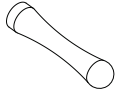
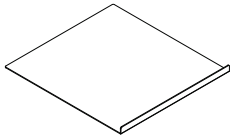
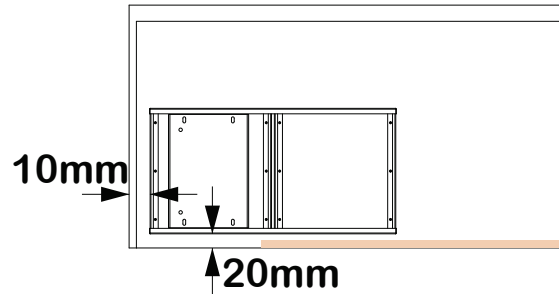
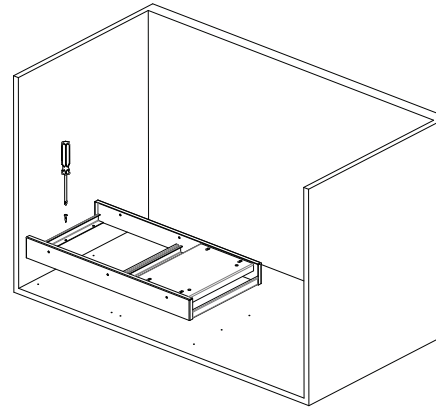


Name	Qty.	Drawing
1 Frame	1 Nos.	
2 Bottom Base	1 No.	
3 Handle	2 Nos.	
4 Bottom Base Cover	2 Nos.	
5 Bolt & Scerws	1 Kit.	

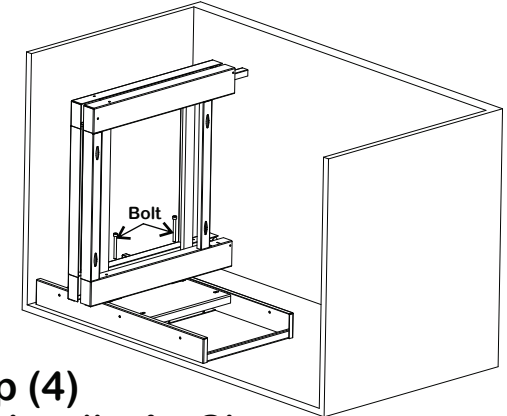
Step (1)
Place Bottom Base As Given Dimensions.



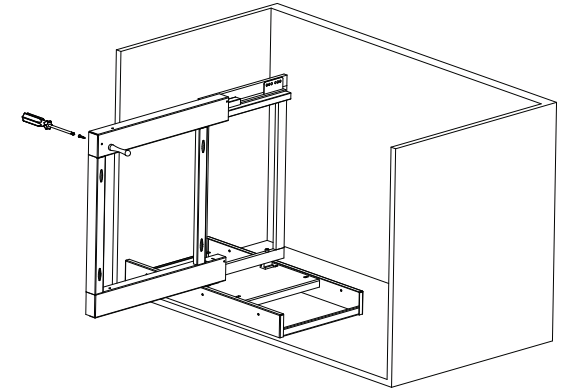
Step (2)
Fix Sliding Base.



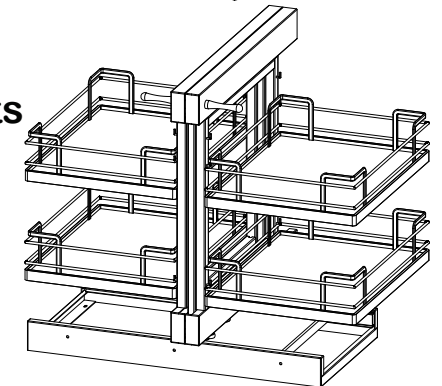
Step (3)
Place Frame on Bottom Base And Fix With Bolt



Step (4)
Fix Handle As Shown.

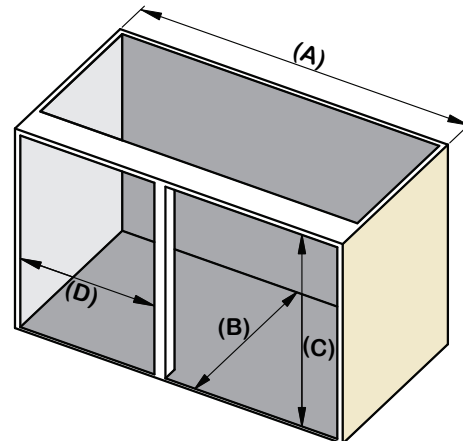


Step (5)
Hang Baskets With Hook



Carcass Dimension

Cabinet Width (A)	1050-1100mm
Cabinet Depth (B)	560Min.
Height (C)	600-700mm
Door Width (D)	440-490mm



Show Hand Corner Unit Accessories